

S/N 09/954,616

PATENT

#7  
23  
7/24/02

IN THE UNITED STATES PATENT AND TRADEMARK OFFICE

Applicant:	WOOLFORD ET AL.	Examiner:	F. LAGMAN
Serial No.:	09/954,616	Group Art Unit:	3673
Filed:	SEPTEMBER 17, 2001	Docket No.:	3616.20USC6
Title:	COMPOSITE MASONRY BLOCK		

CERTIFICATE UNDER 37 CFR 1.10:  
 "Express Mail" mailing label number: EV077891811US  
 Date of Deposit: July 11, 2002

I hereby certify that this correspondence is being deposited with the United States Postal Service "Express Mail Post Office to Addressee" service under 37 CFR 1.10 on the date indicated above and is addressed to Commissioner for Patents, Washington, D.C. 20231.

By: [Signature]  
 Name: John Junker

PROPOSED CHANGES TO THE DRAWINGS

Commissioner for Patents  
Washington, D.C. 20231



Dear Sir:

Applicants propose to amend Figures 8 and 9 as shown in red on the attached copies.  
With the Examiner's approval, the changes will be made to the formal drawings in due course.

Respectfully submitted,

MERCHANT & GOULD P.C.  
P.O. Box 2903  
Minneapolis, Minnesota 55402-0903  
(612) 332-5300

Date: July 11, 2002

[Signature]  
James A. Larson  
Reg. No. 40,443

*Approved*  
*HL*

FIG. 7

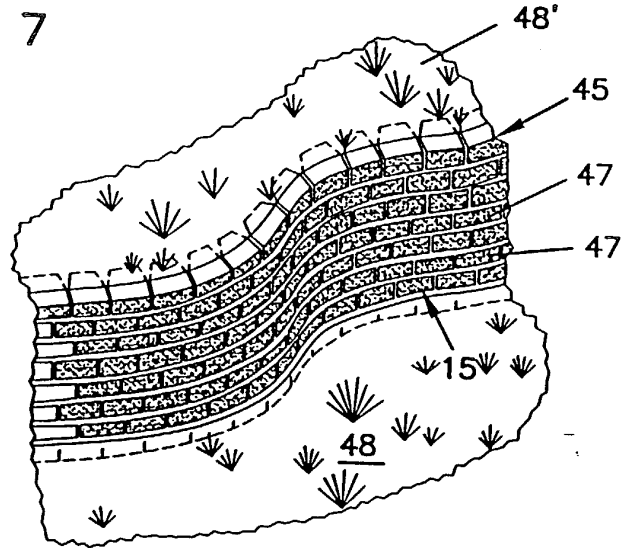
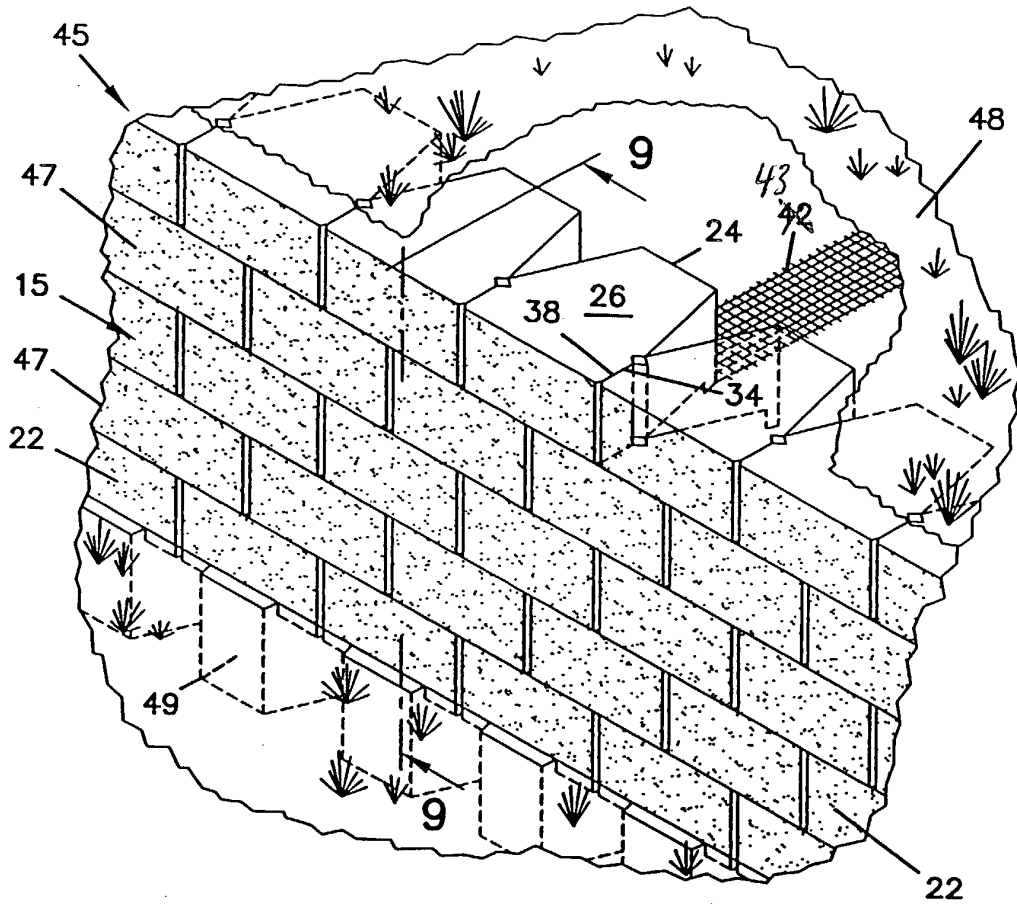


FIG. 8



*approved*

FIG. 9

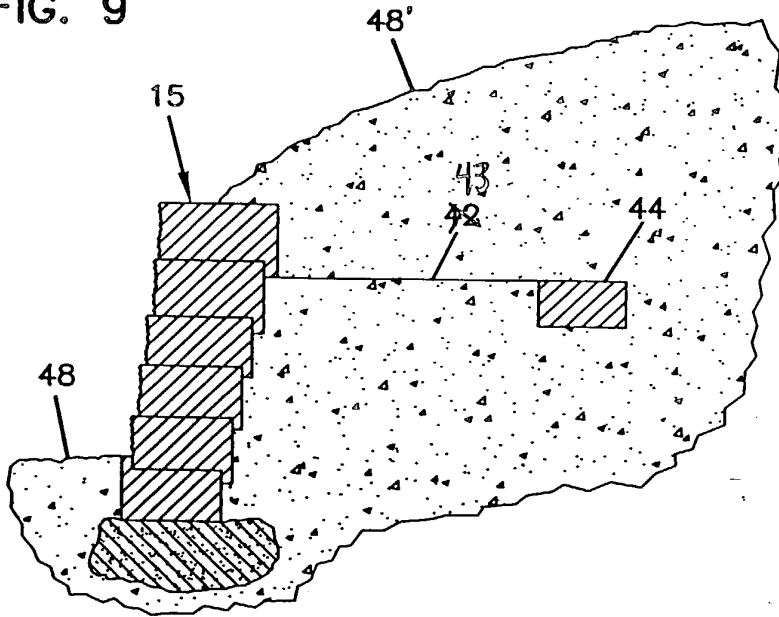


FIG. 10

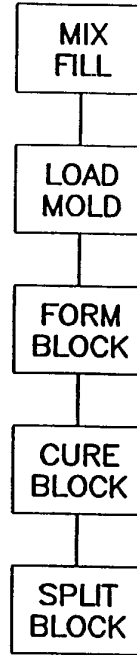


FIG. 11

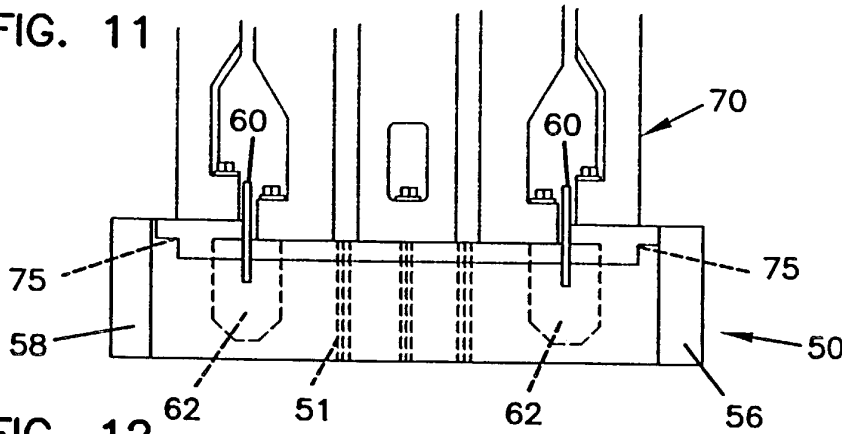


FIG. 12

